



Project description 1-10DS 3X480V TRUBRAND

Drawing number PJ15.1182.01.1

Blastrac number E10786

Power supply 480V 60Hz

Input lead Input lead

Control Voltage 240Vac/24Vdc

Status Preliminary

Year of Manufacturing 2015

Created on 9-9-2015 by KR

Edit date 3-2-2016 by KR

Number of pages 24

Modification	Date	Name	Last print
	23-11-2015		
		HvdB	
		Appr	
	3-2-2016		

Project naam:	1-10 DS 3x480V
---------------	----------------



Pagina beschrijving:	Titlepage /Cover sheet
----------------------	------------------------

Klant:	Trubrand	= E1
Tekening nummer:	PJ15.1182.01.1	+
		Page <b>1</b>

# Table of contents

Page	Page description	Revision	Date	Edited by
=E1/1	Titlepage /Cover sheet		23-11-2015	HvdB
=E1/1.a	Checklist		11-9-2015	KR
=E1/2.a	Table of contents		3-2-2016	HvdB
=E1/3	Revision sheet		23-11-2015	HvdB
=E1/4	Legend		28-9-2015	KR
=E1/5	Symbol library		11-9-2015	KR
=E1/6	Panel Layout		13-11-2015	HvdB
=E1/7	Cableset		29-10-2015	KR
=E1/10	Main-Voltage		23-11-2015	HvdB
=E1/11	Main-Voltage		13-11-2015	HvdB
=E1/12	Main-Voltage		13-11-2015	HvdB
=E1/13	Control-Voltage		25-9-2015	KR
=E1/14	Control-Voltage		25-9-2015	KR
=E1/15	Terminal Diagram =E1+-11F3		3-2-2016	KR
=E1/16	Terminal Diagram =E1+-X0		23-11-2015	HvdB
=E1/17	Terminal Diagram =E1+-X1		23-11-2015	HvdB
=E1/18	Terminal Diagram =E1+-X2		23-11-2015	HvdB
=E1/19	Terminal line-up =E1+-11F3		3-2-2016	KR
=E1/20	Terminal line-up =E1+-X0		23-11-2015	HvdB
=E1/21	Terminal line-up =E1+-X1		23-11-2015	HvdB
=E1/22	Terminal line-up =E1+-X2		23-11-2015	HvdB
=E1/23	Parts list		3-2-2016	KR
=E1/24	Parts list		3-2-2016	KR
=E1/25	Parts list		3-2-2016	KR

Revision	Date	Discription	Remark	Editor
00.0	11-9-2015	Preliminary	Engineering ART4	--
00.1	29-10-2015	Update cable set	Engineering ART4	KR
01.1	23-11-2015	Ampmeter and current transformer type changed to 40A	Engineering ART4	HvdB

2.a

Modification	Date	Name	Last print	Date	23-11-2015
				Ed.	HvdB
				Appr	
				Last print	3-2-2016

Project naam: **1-10 DS 3x480V**



Pagina beschrijving: **Revision sheet**

Klant: **Trubrand**  
 Tekening nummer: **PJ15.1182.01.1**

## WIRE COLOR

### All wiring AWG

#### Main Voltage

##### Phase

L1

L2

L3

Earth / PE

##### Colors

- Black

- Black

- Black

- Yellow/Green

#### Control Voltage (AC)

Phase

Hook-up wire

Zero

- Red

- Red

- Red

#### Control Voltage (DC)

(+) Hook-up wire

(-) Hook-up wire

(-)

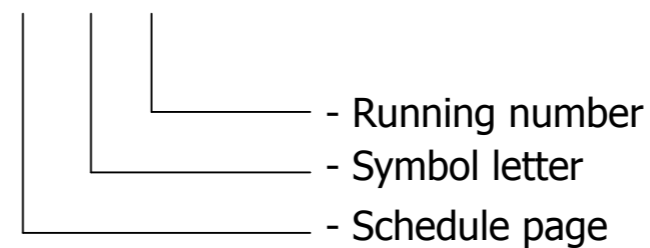
- Dark Blue

- Dark Blue

- White/Blue

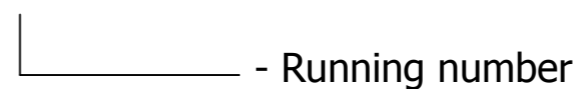
## SYMBOL CODE

11 F 11



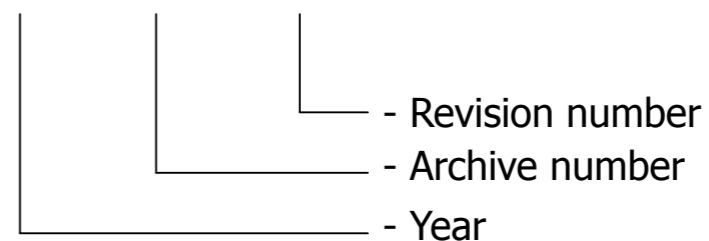
## CORE CODE

11 11



## DRAWING NUMBER

PJ##.####.##



	Date	28-9-2015
	Ed.	KR
	Appr	
Modification	Date	Name
	Last print	3-2-2016

Project naam:	1-10 DS 3x480V
---------------	----------------



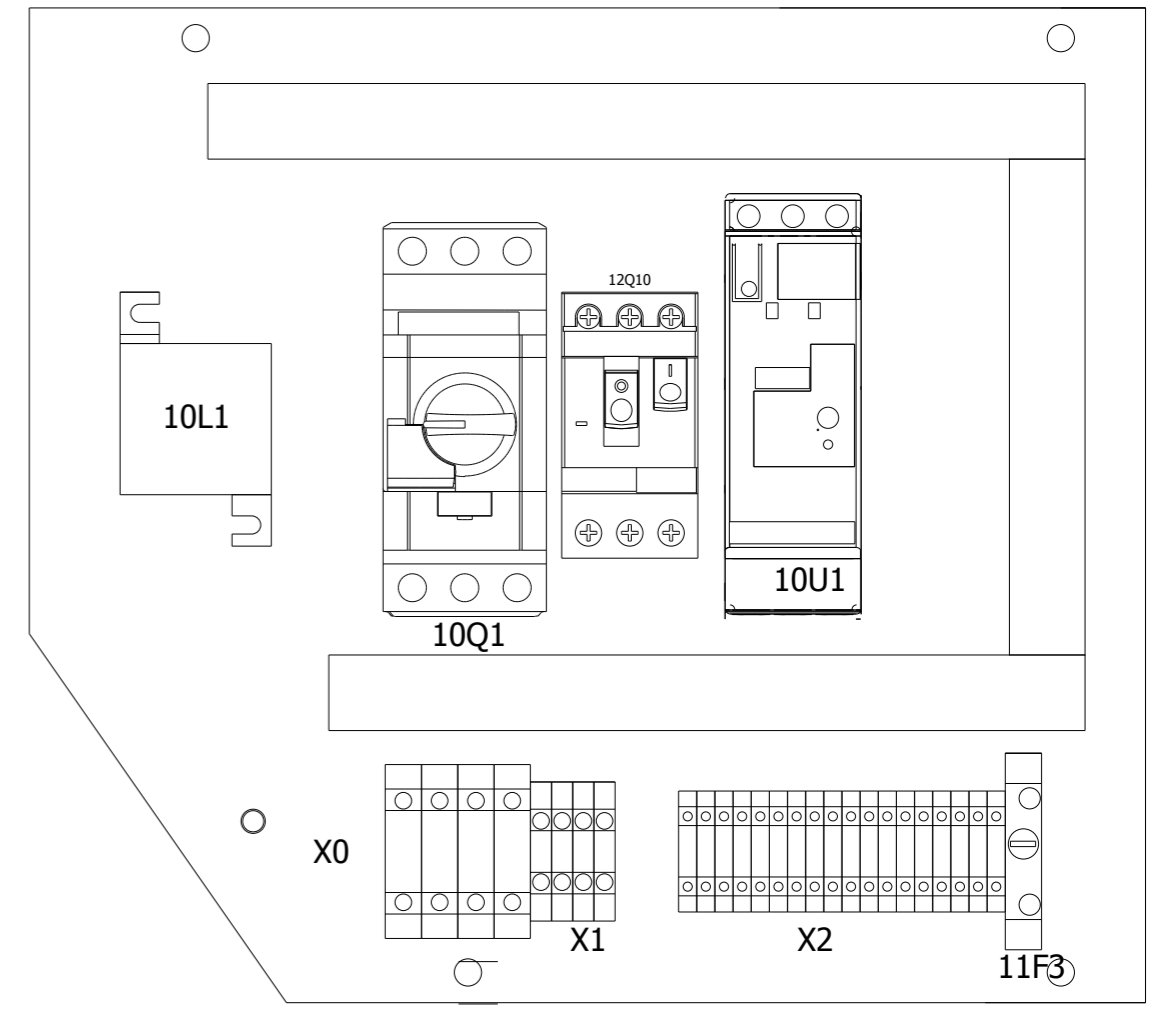
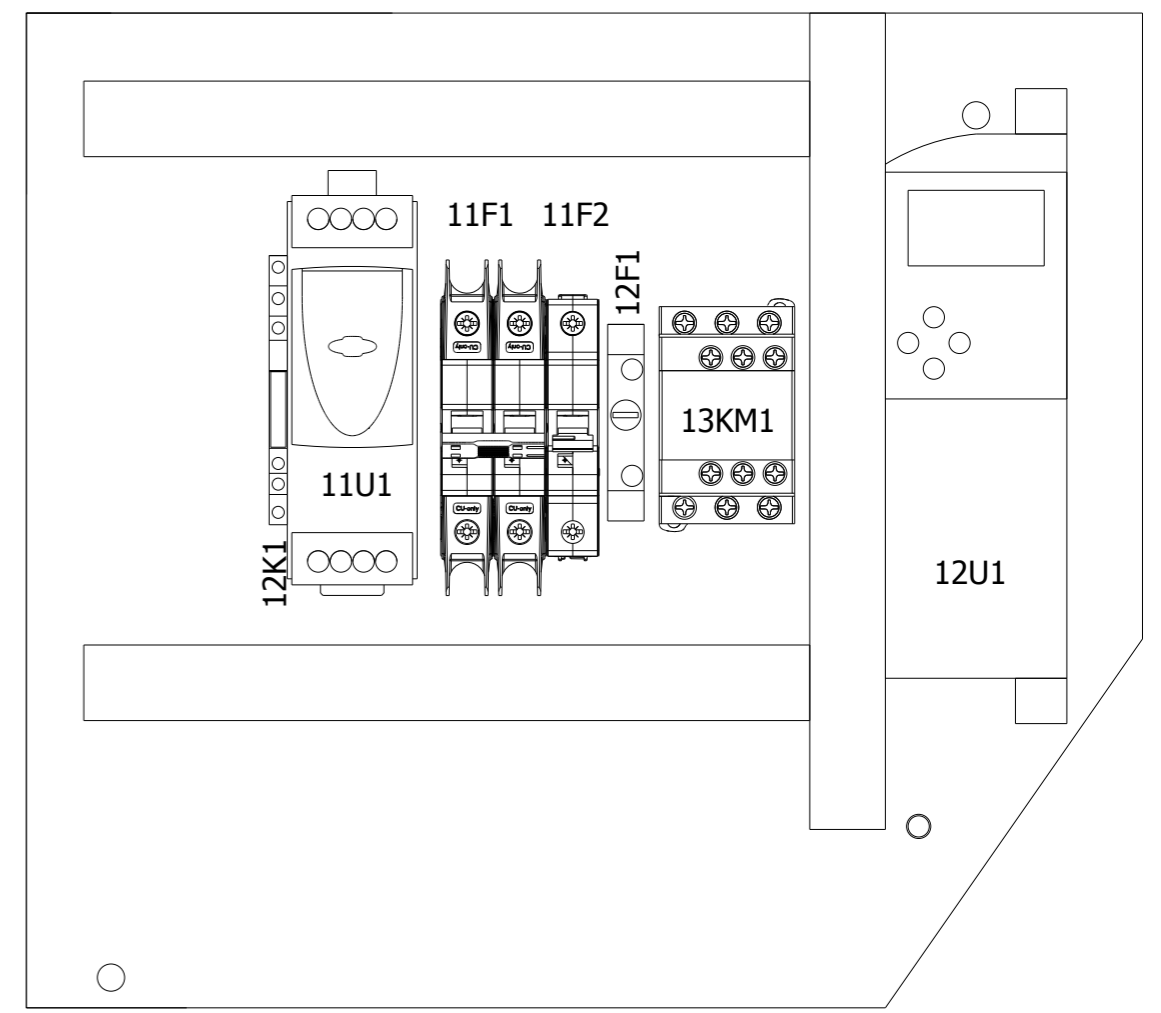
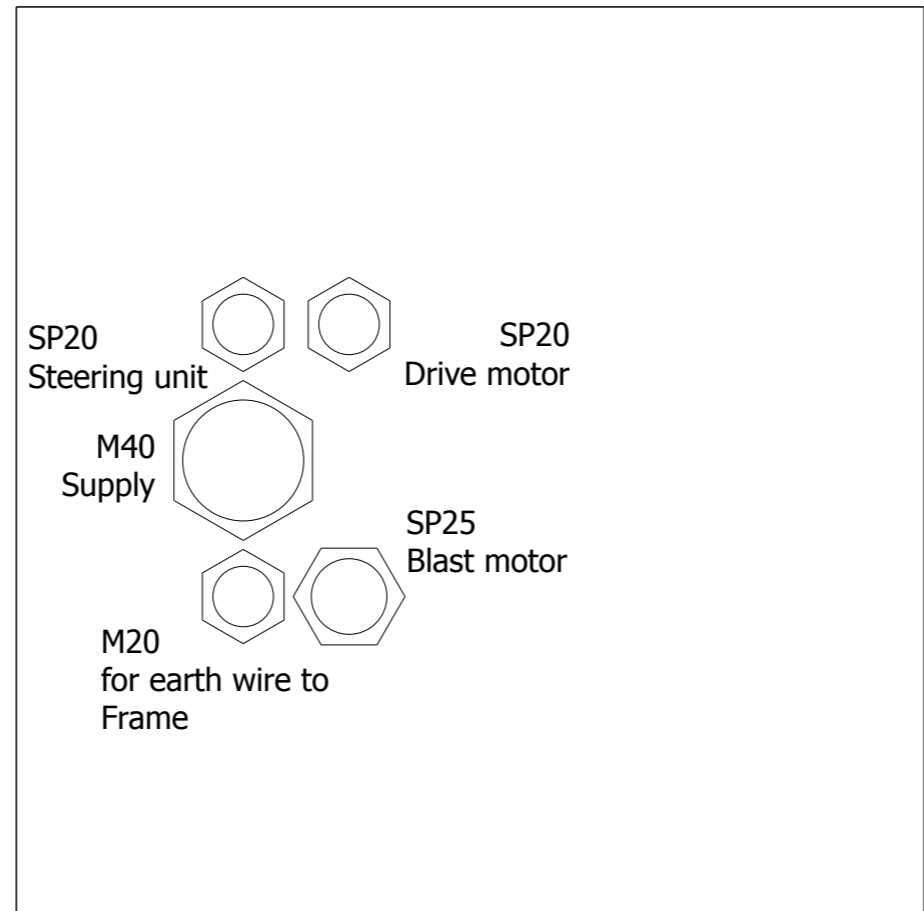
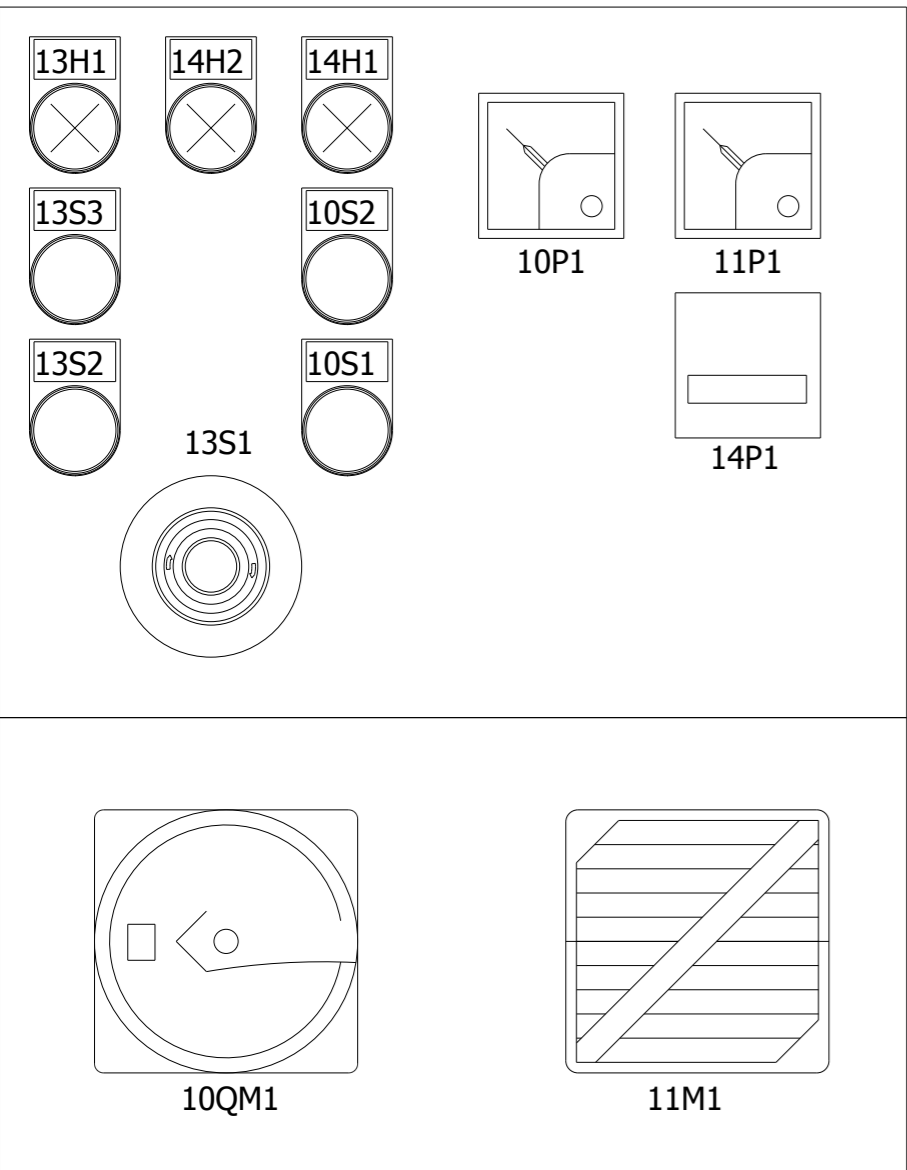
Pagina beschrijving:	Legend
----------------------	--------

Klant:	Trubrand	= E1
Tekening nummer:	PJ15.1182.01.1	+
		Page <b>4</b>

	auxiliary contact	hulpcontact		signal light	signaallamp		Safety fuse	smeltveiligheid
	Power contact	vermogenscontact		horn	hoorn		Fused switch, three-pole	schakelbare scheid
	NO contact, opens with time delay	maakcontact, vertraagd open		amp. meter	amperemeter		Fused disconnect, three-pole	scheid "klapbak"
	NO contact, closes with time delay	maakcontact, vertraagd sluitend		running hour counter	urenteller		Main switch	hoofdschakelaar
	NC contact, opens with time delay	verbreekcontact, vertraagd open		transformer	transformator		Circuit breaker, single-pole	installatieautomaat 1-polig
	NC contact, closes with time delay	verbreekcontact, vertraagd sluitend		Contactor coil relay coil	spoel		Circuit breaker, two-pole	installatieautomaat 2-polig
	Pushbutton rebound	drukknop terugverend		Contactor/relay coil with pick-up delay	Spoel met opkomvertraging		Circuit breaker, three-pole	installatieautomaat 3-polig
	Pushbutton locking	drukknop blijvend		Contactor/relay coil with drop-out delay	spoel met afvalvertraging		Power circuit breaker motor overload switch with switch mechanism	motorbeveiligingsschakelaar
	Rotary switch rebound	tip draaischakelaar		Contactor pulse coil relay pulse coil,	spoel puls		Valve	elektrisch bediende klep
	Rotary switch locking	draaischakelaar		Tube light	TL verlichting		Resistor with movable contact	regelbare weerstand
	Emergency stop rotary unlock	noodstop met draaibare vrijgave		Resistor / Heating	weerstand verwarming		Terminal	rijgklem
	Thermostatic switch	thermostaat hygrostaat		Socket	wandcontactdoos		Terminal with fuse	rijgklem met zekering
	Pressure switch	drukschakelaar		Current transformer	stroomtransformator		Busbar connection	Verzamelrail
	Limit switch	eindschakelaar		Wire termination Not connected			Rectifier	gelijkrichter
	Proximity switch	naderingsschakelaar		Wire termination Insulated				

6M35

CAB

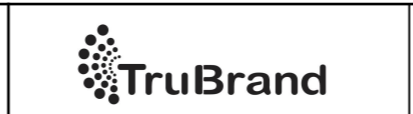


5

7

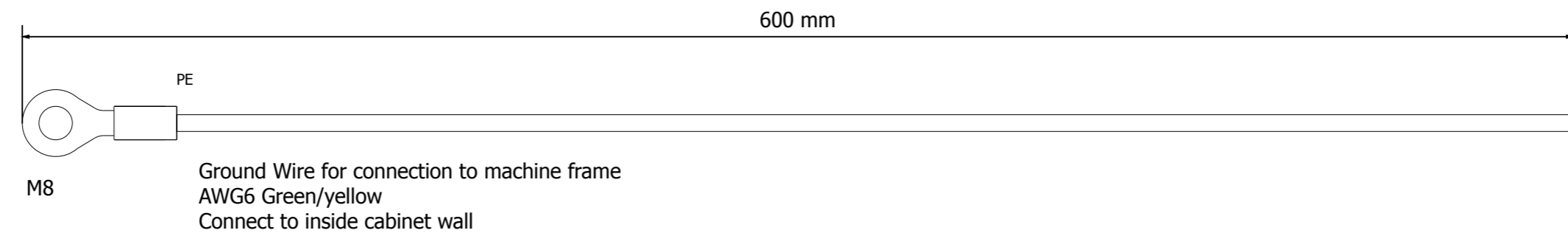
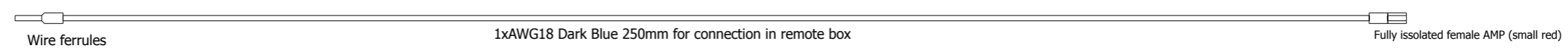
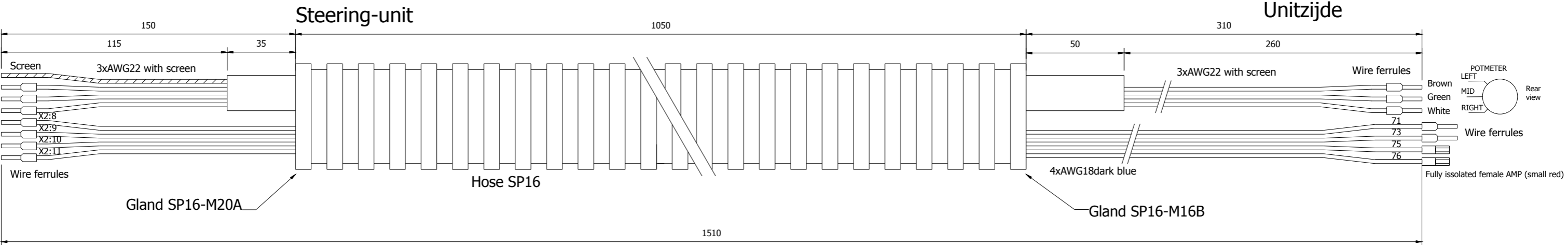
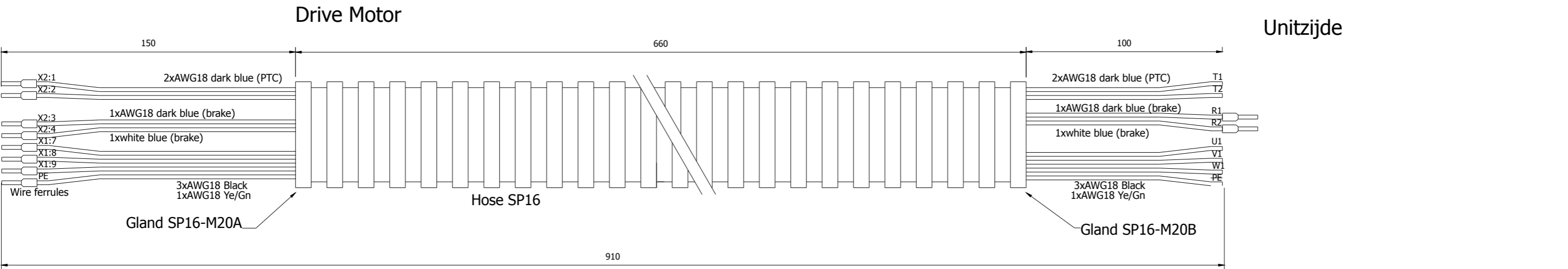
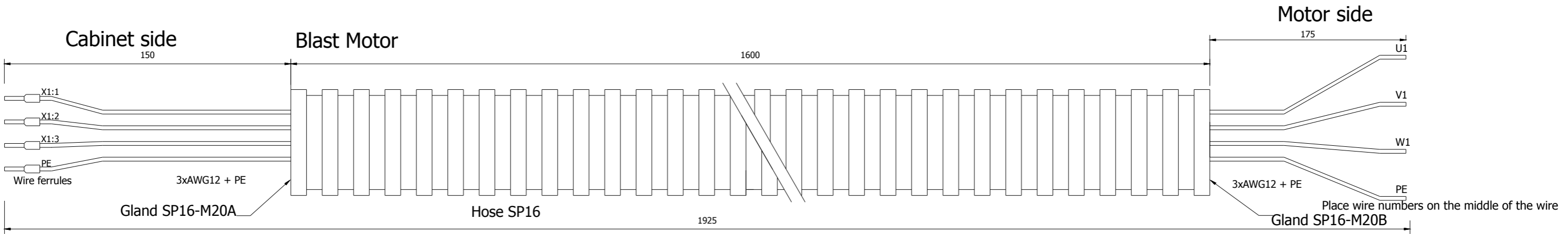
Date	13-11-2015
Ed.	HvdB
Appr	
Last print	3-2-2016

Project naam: 1-10 DS 3x480V



Pagina beschrijving: Panel Layout

Klant: TruBrand  
Tekening nummer: PJ15.1182.01.1



Date	29-10-2015
Ed.	KR
Appr	
Last print	3-2-2016

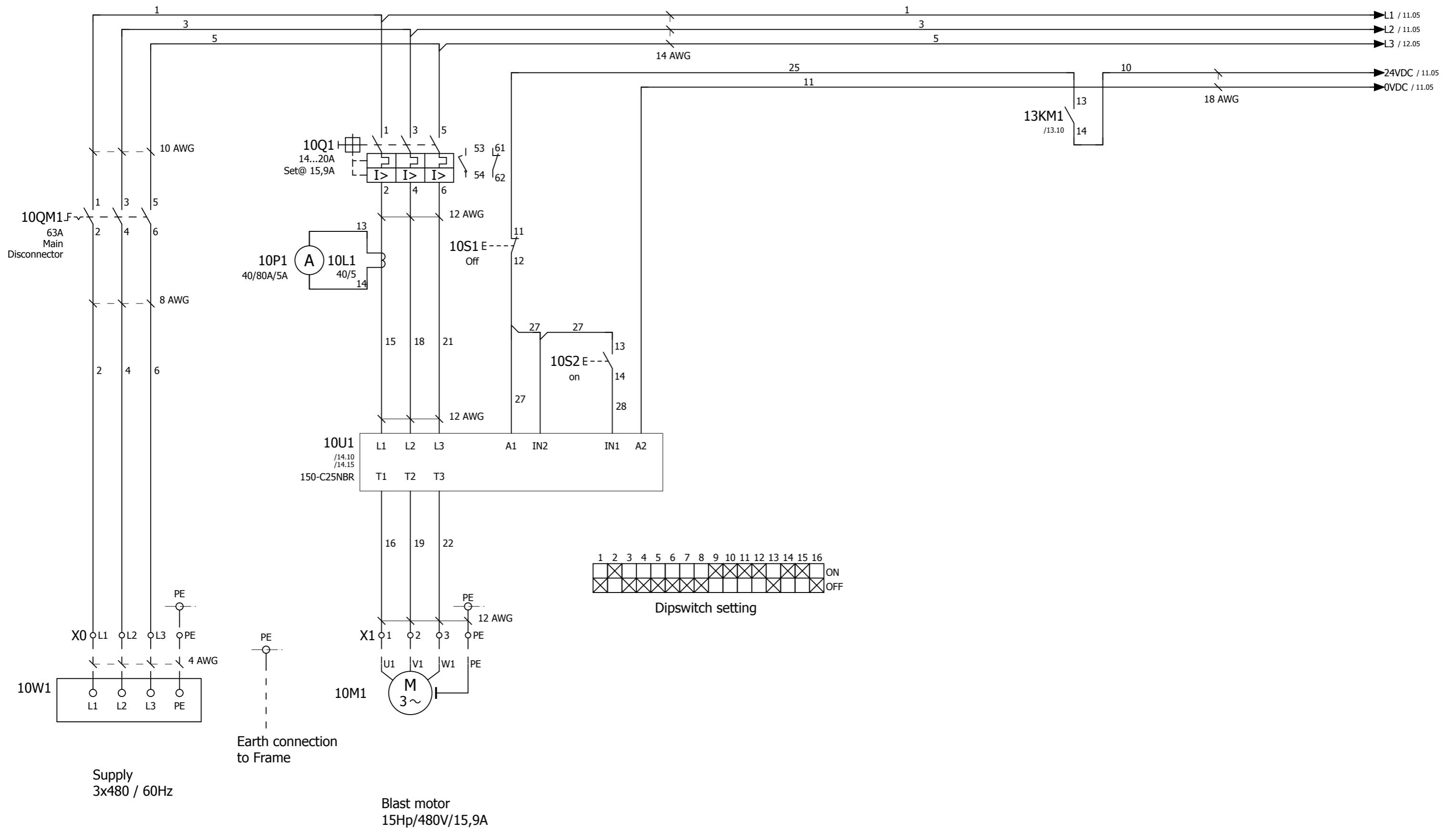
Project naam:  
**1-10 DS 3x480V**



Pagina beschrijving:  
**Cableset**

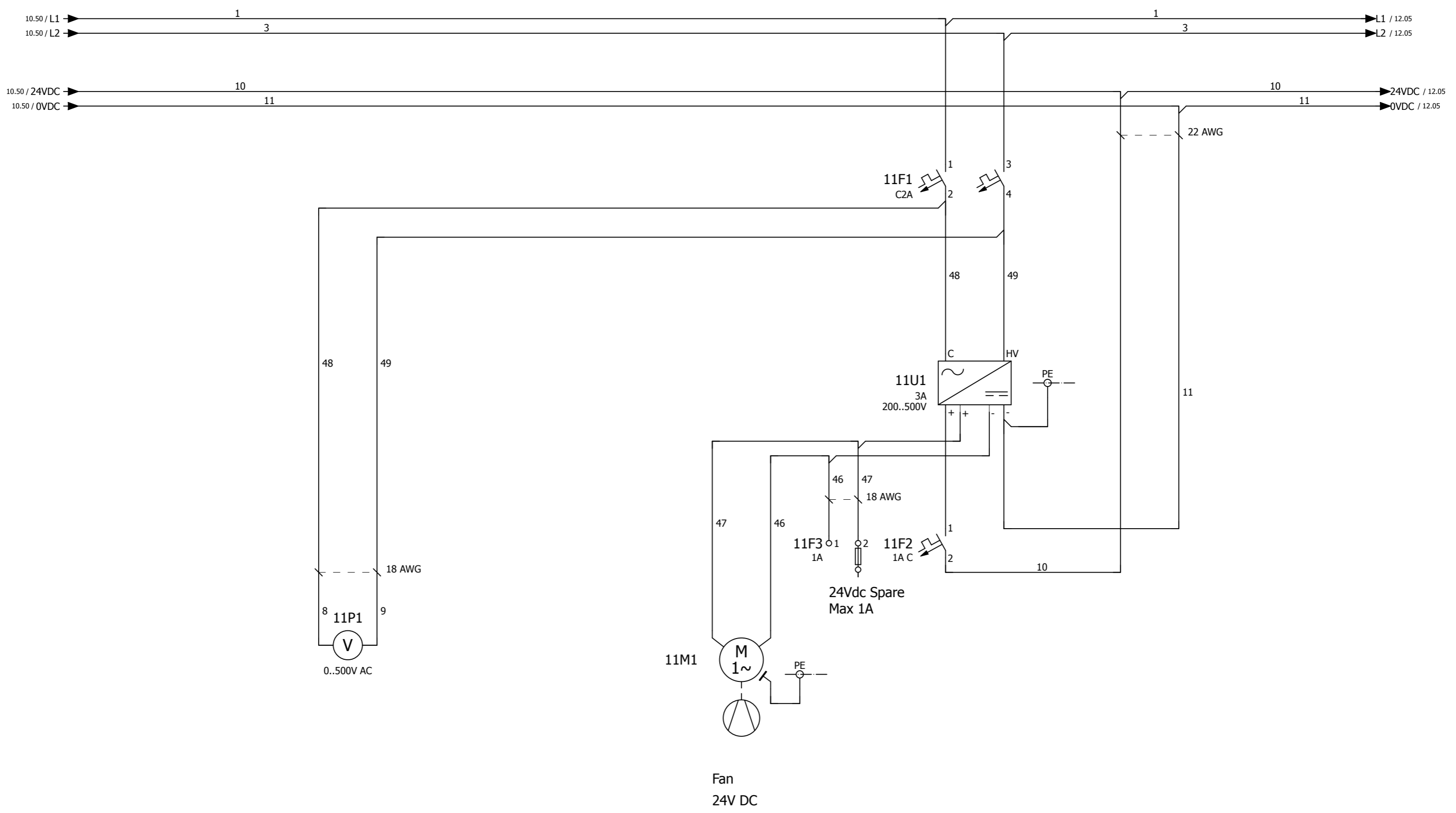
Klant:  
**Trubrand**

Tekening nummer:  
**PJ15.1182.01.1**



			Date	23-11-2015	Project naam:		Pagina beschrijving:	Main-Voltage	Klant:	Trubrand	= E1
			Ed.	HvdB					+		
			Appr								
Modification	Date	Name	Last print	3-2-2016	1-10 DS 3x480V				Tekening nummer:	PJ15.1182.01.1	Page <b>10</b>





Date	13-11-2015
Ed.	HvdB
Appr	
Last print	3-2-2016

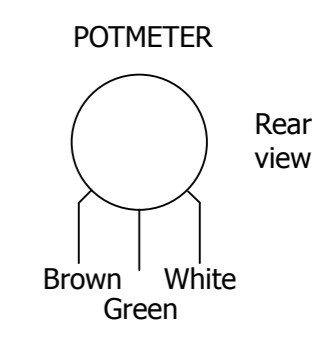
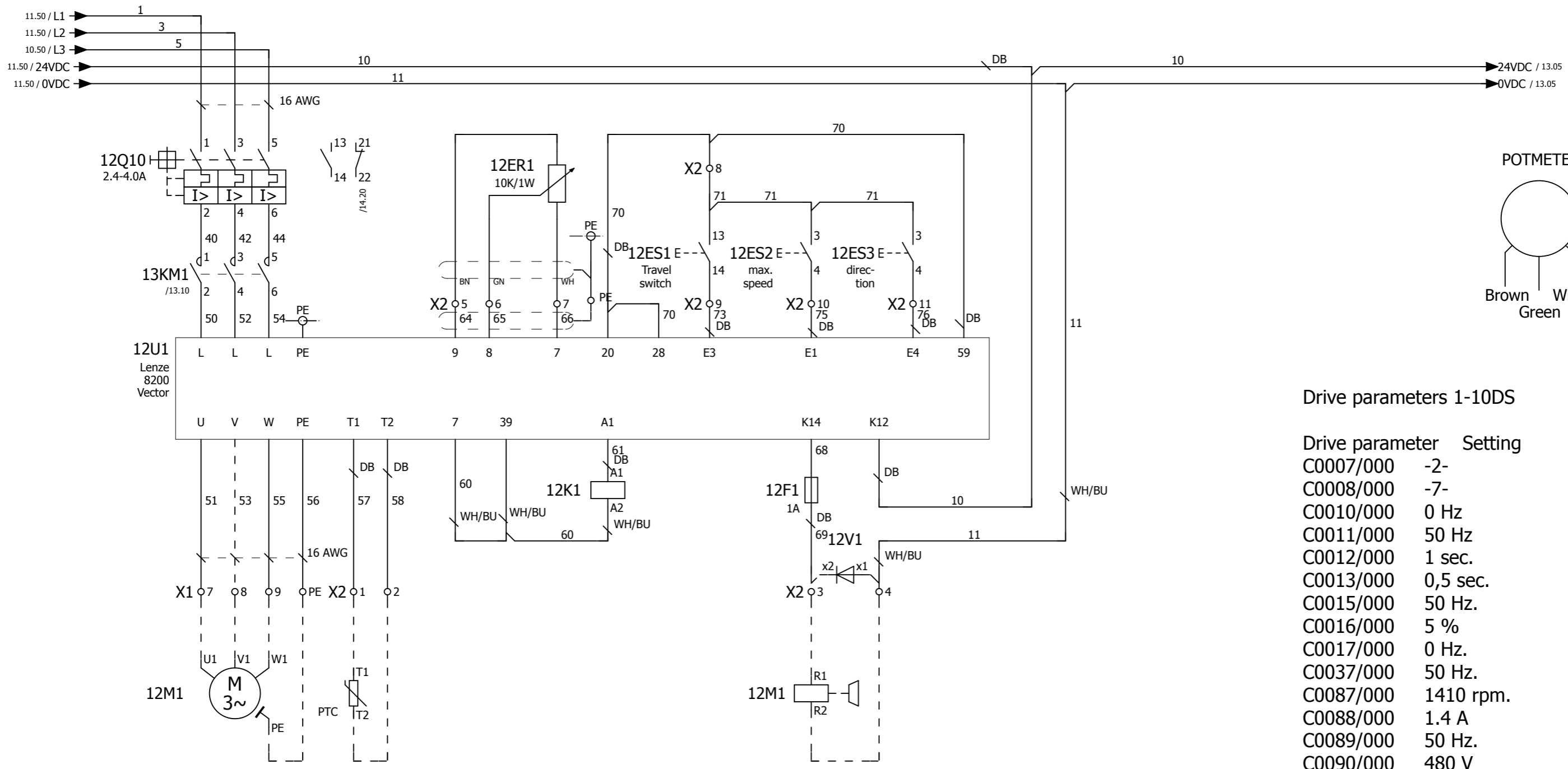
Project naam:	1-10 DS 3x480V
---------------	----------------



Pagina beschrijving:	Main-Voltage
----------------------	--------------

Klant:	Trubrand
Tekening nummer:	PJ15.1182.01.1

= E1
+
Page <b>11</b>



Drive parameters 1-10DS

Drive parameter	Setting
C0007/000	-2-
C0008/000	-7-
C0010/000	0 Hz
C0011/000	50 Hz
C0012/000	1 sec.
C0013/000	0,5 sec.
C0015/000	50 Hz.
C0016/000	5 %
C0017/000	0 Hz.
C0037/000	50 Hz.
C0087/000	1410 rpm.
C0088/000	1.4 A
C0089/000	50 Hz.
C0090/000	480 V
C0091/000	0.8
C0105/000	0.9 sec.
C0119/000	-1-
C0142/000	-3-
C0148/000	-1- (*)
C0410/001	-1-
C0415/001	-6-
C0415/002	-25-
C0416/000	-2-
C0417/001	-1-

(\* ) Motor identification will be 0 after applying

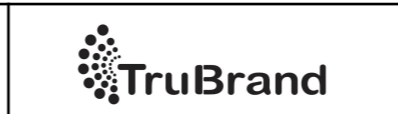
Drivemotor  
0,75 Hp/480V/1,4A  
0,75 Hp/277V/2,4A  
Incl.  
Thermistor  
  
\* Connect drivemotor  
in delta

Failure  
drive  
  
14 ↗  
11 ↘ 12  
11 ↗  
12 ↘ /14.25

Brake  
24Vdc

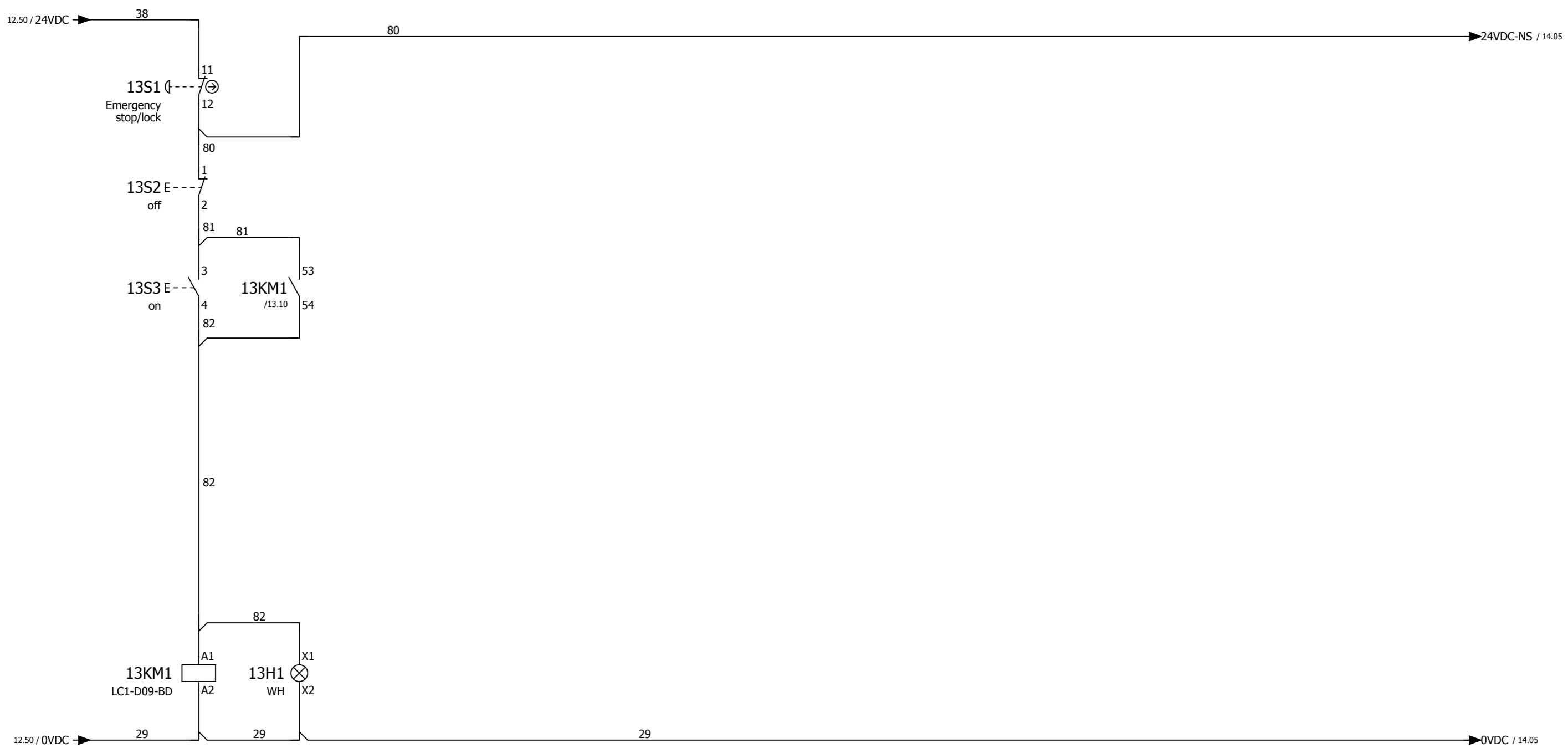
Date	13-11-2015
Ed.	HvdB
Appr	
Last print	3-2-2016

Project naam:  
**1-10 DS 3x480V**



Pagina beschrijving:  
**Main-Voltage**

Klant:  
**Trubrand**  
Tekening nummer:  
**PJ15.1182.01.1**



Control  
voltage  
on

- 53 — 54 /13.15
- 63 — 64
- 1 — 2 /12.10
- 3 — 4 /12.10
- 5 — 6 /12.10
- 13 — 14 /10.40
- 21 — 22

Date	25-9-2015
Ed.	KR
Appr	
Last print	3-2-2016

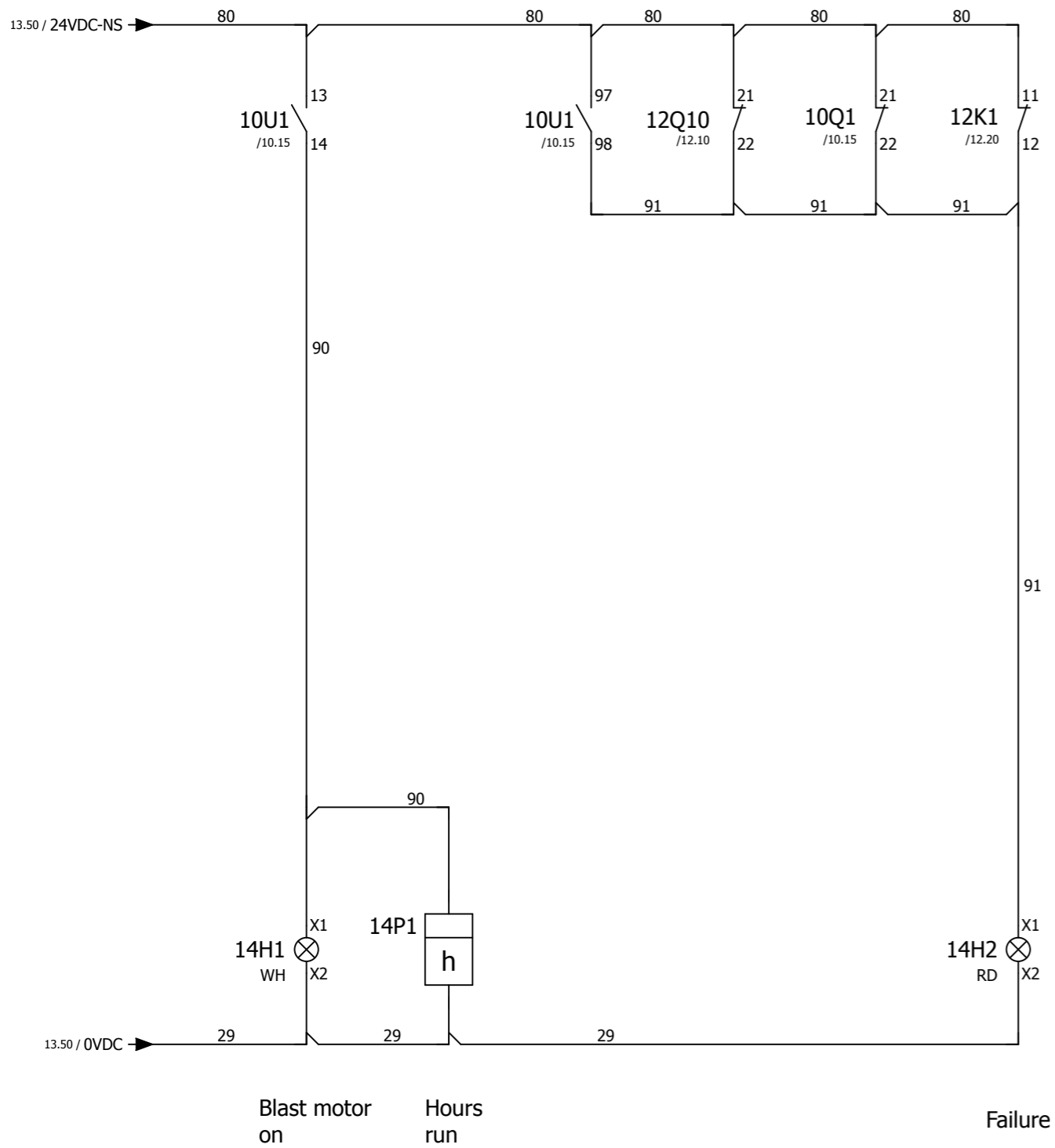
Project naam:  
**1-10 DS 3x480V**



Pagina beschrijving:  
**Control-Voltage**

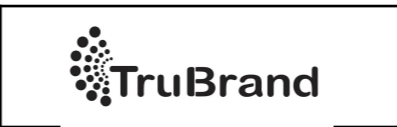
Klant:  
**Trubrand**

Tekening nummer:  
**PJ15.1182.01.1**



Modification	Date	Name	Last print
			3-2-2016

Date	25-9-2015
Ed.	KR
Appr	
Project naam:	1-10 DS 3x480V



Pagina beschrijving:	Control-Voltage
----------------------	-----------------

Klant:	Trubrand
Tekening nummer:	PJ15.1182.01.1

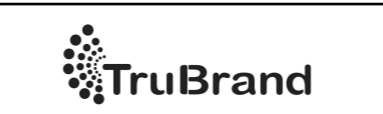
= E1
+
Page <b>14</b>

# Terminal diagram

Page / column		Cable name	Strip =E1+-11F3					Cable name	function text										
Page / column		cable type	Connection point	Target designation	Jumper	terminal	Connection point	Target designation	cable type	function text									
/11.35				-11M1		1													
/11.35			-	-11M1		2													
			+																

Modification	Date	Name	Date	3-2-2016
			Date	3-2-2016
			Ed.	KR
			Appr	
			Last print	3-2-2016

Project naam: 1-10 DS 3x480V



Pagina beschrijving: Terminal Diagram =E1+-11F3

Klant: Trubrand  
Tekening nummer: PJ15.1182.01.1



# Terminal diagram

Page / column		Cable name	Strip =E1+-X1						Cable name	Cable type	function text
			Connection point	Target designation	Jumper	terminal	Connection point	Target designation			
/10.15			U1	-10M1		1	T1	-10U1		Blast motor 15Hp/480V/15,9A	
/10.20			V1	-10M1		2	T2	-10U1		=	
/10.20			W1	-10M1		3	T3	-10U1		=	
/10.20			PE	-10M1		PE		PE		=	
/12.10			U1	-12M1		7	U	-12U1		Drive motor	
/12.10			V1	-12M1		8	V	-12U1		Drivemotor 0,75 Hp/480V/1,4A 0,75 Hp/277V/2,4A Incl. Thermistor	
/12.10			W1	-12M1		9	W	-12U1		=	
/12.15			PE	-12M1		PE	PE	-12U1		=	

# Terminal diagram

Page / column		Cable name		Strip =E1+-X2						Cable name		function text					
		cable type	Connection point	Target designation	Jumper	terminal	Connection point	Target designation	cable type								
/12.15																	T1
/12.15		T2	-12M1	.	2	T2	-12U1									Drivemotor 0,75 Hp/480V/1,4A 0,75 Hp/277V/2,4A Incl. Thermistor	
/12.30		R1	-12M1	.	3		-12F1									Brake	
						x2	-12V1										
/12.30		R2	-12M1	.	4	-	-11U1									Brake 24Vdc	
						A2	-13KM1										
						x1	-12V1										
/12.20			-12ER1	.	5	9	-12U1									Speed	
/12.20			-12ER1	.	6	8	-12U1									Drivemotor 0,75 Hp/480V/1,4A 0,75 Hp/277V/2,4A Incl. Thermistor	
/12.20			-12ER1	.	7	7	-12U1									=	
/12.25		13	-12ES1	.	8	20	-12U1									Failure drive	
						59	-12U1										
/12.25		14	-12ES1	.	9	E3	-12U1									Travel switch	
/12.30		4	-12ES2	.	10	E1	-12U1									max. speed	
/12.30		4	-12ES3	.	11	E4	-12U1									direction	
/12.20			PE	.	PE											Drivemotor 0,75 Hp/480V/1,4A 0,75 Hp/277V/2,4A Incl. Thermistor	



# Terminal line-up diagram

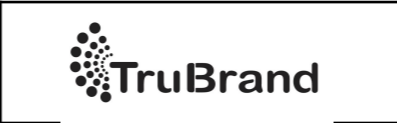
1

2

=E1+-11F3		
Terminal	End plate	End clamp
VU4-4 GRIJS CONN.R.K		EINDSTEUN V4 CON.ACC
VUSI 4-10M C.ZEK.KLM		
VASI 4-10 C.SCHOT		

Modification	Date	Name	Last print	3-2-2016
			Date	3-2-2016
			Ed.	KR
			Appr	

Project naam: **1-10 DS 3x480V**



Pagina beschrijving: **Terminal line-up =E1+-11F3**

Klant: **Trubrand**  
 Tekening nummer: **PJ15.1182.01.1**







# Parts list

device tag	Quantity	designation	Type number	Brand	Blastrac number
-CAB	1	1-10/15/20/20D univesel empty	1-10DS EMPTY	Haewa	E07833
-CAB	2	Mont.goot BxH 25x80 MM vpp=56	T1-E 25X80 MONT.GOOT	Generic	E07834
-CAB	1	M.rail galvanized,7,5x35MM 2M	TS35 MOUNT.RAIL GROOVE	Generic	E07835
-CAB	2	overdrive-forward zelfkl.60*10 witte pl/zw letter	RESOPAL 2-20DT/1	Generic	E07836
-CAB	1	speed control zelfkl.45*10 witte pl/zw letter	RESOPAL 2-20DT/2	Generic	E07837
-CAB	1	Bocht 90 M20 inw* M20 uitw	B/PG13/90	Generic	E07838
-CAB	3	FITTING @16*M20	SP16/M20/A	Adaptaflex	E07839
-CAB	2	FITTING @16*M16 DRAAIBAAR	SP16/M16/B	Adaptaflex	E05178
-CAB	2	FITTING @16*M20 DRAAIBAAR	SP16/M20/B	Adaptaflex	E03508
-CAB	3	Bescherm slang metaal + pvc 16*13 zwart	SP16/ZWART	Adaptaflex	E00559
-CAB	1	Cable gland plug M20*1.5 brass, nickel-plated	WARTEL BLINDSTOP M20	Jacob	E07842
-CAB	1	Cable gland M40*1.5 polyamide 50.640	WARTEL PA M40*1.5	Jacob	E07942
-CAB	3	Cable gland nut M20*1.5 brass, nickel-plated	WARTELMOER M20*1.5	Jacob	E00406_1
-CAB	1	Cable gland nut M25*1.5 brass, nickel-plated	WARTELMOER M25*1.5	Jacob	E00407_1
-CAB	1	Cable gland nut M40*1.5 polyamide 50.240PA	WARTELMOER PA M40*1.	Jacob	E07943
-CAB	15	Internal wire black AWG14 2.5mm2 UL-CSA	AWG 14 ZWART	LAPP	E07843
-CAB	30	Internal wire red AWG18 1.0mm2 UL-CSA	AWG 18 ROOD	LAPP	E07894
-CAB	1	Internal wire black AWG18 1.0mm2 UL-CSA	AWG 18 ZWART	LAPP	E07845
-CAB	15	Internal wire red AWG22 0.5mm2 UL-CSA	AWG 22 ROOD	LAPP	E07846
-CAB	15	Internal wire darkblue AWG22 0.5mm2 UL-CSA	AWG 22 D BL.	LAPP	E08012
-CAB	50	Ferrule 0.5mm2 white insulated	G 488 MONT.ADERHULS	Calpe	E07848
-CAB	40	Ferrule 1mm2 red insulated	G 490	Calpe	E07849
-CAB	70	Ferrule 2x1mm2 red insulated	G 490-TWIN MONT.A.H.	Calpe	E07850
-CAB	50	Ferrule 1,5mm2 black insulated	G 491 MONT.A.H.	Calpe	E07851
-CAB	20	Ferrule 2,5mm2 grey insulated	G 492 MONT.ADERHULS	Calpe	E07852
-CAB	20	Ferrule 2x2,5mm2 blue insulated	G 492-TWIN MONT.A.H.	Calpe	E07853
-CAB	18	Ferrule 4mm2 orange insulated	G 493 MONT.AD.HULS	Calpe	E07854
-CAB	6	Ferrule 10mm2 brown insulated	G 495 MONT.ADERH.	Calpe	E07855
-CAB	1	Sticker for Aramsco/Truband 1-10DS 3x480V	201157		
-CAB	1	Internal wire yellow/green AWG8 10mm2 UL-CSA	AWG 8 GG	LAPP	E07866
-CAB	6	Internal wire black AWG8 10mm2 UL-CSA	AWG 8 ZW	LAPP	E07867
-CAB	1	Reducer M25*1.5 ext. M20*1.5 int. brass, nickel plated	REDUCTIERING M25M20		E08272
-CAB	1	Cabel gland M16*1.5 (PG9/11) IP68 brass, nickel-plated 50616	WARTEL M16*1.5	Jacob	E00405
-CAB	1	Cable gland nut M16*1.5 brass, nickel-plated	WARTELMOER M16*1.5	Jacob	E00405_1
-CAB	1	Internal wire white/blue AWG22 0.5mm2 UL-CSA	AWG 22 WH/BL.	LAPP	E08016
-CAB	3	Cable gland M20*1.5 polyamide 50.620	WARTEL PA M20*1.5	Jacob	E07887
-X0	1	Eindsteun V4 klein 9708/2S35	EINDSTEUN V4 CON.ACC	Wieland	E07828
-X0	3	Conn. railkl. 16MM2 grijs	VU5-16 CONN.R.KLEM	Wieland	E05190
-X0	1	Conn.aardkl.,16MM2, ge/gr	VUPE-5-16 CONN.A.KL.	Wieland	E05191
-X1	3	Conn.railkl. 6MM2 grijs	VU4-6 CONN.RAILKL.	Wieland	E01331
-X1	1	Conn.aardkl. 6MM2 GE/GN wk6sl/u	VUPE 4-6 CONN.AARDKL	Wieland	E01329
-X1	3	Conn. railkl. 4MM2 grijs WK4/U	VU4-4 GRIJS CONN.R.K	Wieland	E07829
-X1	1	Aardkl. 4MM2 ge/gr WK4SL/u	VUPE 4-4 CONN.AARDKL	Wieland	E01197
-X1	1	Eindsteun V4 klein 9708/2S35	EINDSTEUN V4 CON.ACC	Wieland	E07828
-X2	2	Eindsteun V4 klein 9708/2S35	EINDSTEUN V4 CON.ACC	Wieland	E07828
-X2	11	Conn. railkl. 4MM2 grijs WK4/U	VU4-4 GRIJS CONN.R.K	Wieland	E07829
-X2	1	Aardkl. 4MM2 ge/gr WK4SL/u	VUPE 4-4 CONN.AARDKL	Wieland	E01197
-10L1	1	Tr.str.prim.40A,sec.5A	IBA 40/5A		E01566
-10P1	1	Amperemeter 0..40/80/5A 48vk Faget	IQ/EQ48 40/80/5A	Crompton	009316-80
-10P1	1	IV48 48*48mm, IP-20	IQ/EQ 48 AFDEKKAP	Crompton	E07822
-10Q1	1	Circuit breaker 14....20A, N-release 206 A	3RV1021-4BA10		
-10Q1	1	Auxiliary contact for 3RV10 circuit breaker 1NC+1NO	SIEM 3RV1901-1E	Siemens	E07964
-10QM1	1	Hoofdschak. 63A, 3P niet vergrendelbaar	P3-63/E	Kraus Naimer	E07967
-10S1	1	Pushbutton head Ø22 spring return without cap	ZB5-AA0	Schneider Electric	E01318
-10S1	1	Single contact block with body/fixing collar 1NC screw clamp	ZB5-AZ102	Schneider Electric	E00357
-10S1	1	Red cap marked STOP for circular pushbutton Ø22	ZBA-434	Schneider Electric	E01353

Modification		Date	Name	Last print	3-2-2016	Project naam: <b>1-10 DS 3x480V</b>		Pagina beschrijving: <b>Parts list</b>	Klant: <b>Trubrand</b>	Tekening nummer: <b>PJ15.1182.01.1</b>	= E1 + Page <b>23</b>
		Ed.		KR							
		Appr									

# Parts list

device tag	Quantity	designation	Type number	Brand	Blastrac number
-10S1	1	tekstpl.houder 27*13 h=45 elfi	F6300	Schneider Electric	E07831
-10S2	1	tekstpl.houder 27*13 h=45 elfi	F6300	Schneider Electric	E07831
-10S2	1	Pushbutton head Ø22 spring return without cap	ZB5-AA0	Schneider Electric	E01318
-10S2	1	Single contact block with body/fixing collar 2NO screw clamp	ZB5-AZ103	Schneider Electric	E08169
-10S2	1	Green cap marked START for circular pushbutton Ø22	ZBA-333	Schneider Electric	E05078
-10U1	1	Softst.3-f 25A 200-480V/24 AC/DC (11kW)	150-C25NBR	Allen Bradley	E00290
-11F1	1	Circuit breaker AB 2P 2A C-kar UL 489 480/277V	C60N-1489-M2C020	Allen Bradley	E05159
-11F2	1	Circuit breaker AB 1P 1A C-kar	C60N-1492-SPM1C010	Allen Bradley	E08423
-11F3	1	ZEK.SMELTV. 5*20MM SLOW 1A	ZEK.GLAS TRAAG 1 A	Generic	E07815
-11F3	1	Conn. railkl. 4MM2 grijs WK4/U	VU4-4 GRIJS CONN.R.K	Wieland	E07829
-11F3	1	ZEK.KLEM 10MM2 GRIJS 5*20MM	VUSI 4-10M C.ZEK.KLM	Wieland	E01321
-11F3	1	VOOR VUSI 4-10	VASI 4-10 C.SCHOT	Wieland	E05154
-11F3	1	Eindsteun V4 klein 9708/2S35	EINDSTEUN V4 CON.ACC	Wieland	E07828
-11M1	1	Ventilator 80*80*20mm. 24VDC	FAN 80*80*20MM 24 VDC/ NMB	PABST	E06930
-11M1	2	UITL.FILT.MONT.UITSP. 80*80MM	221-336 KAST KL.BEH.	PABST	E00283
-11M1	2	Finger Guard 80mm.	250-1612 KAST KL.BEH	PABST	E00283
-11P1	1	Voltmeter 500V 48*48 met cornermask E242-75VG Crompton	IQ/EQ48 500V	Crompton	BG007854
-11U1	1	Power supply 24Vdc 3A 200-520Vac	ABL8-RPS24030	Schneider Electric	E05193
-12ER1	1	Potm. 10KOhm. 4W-500V	POTMETER 10 K OHM	Generic	454795
-12ER1	1	Schroef aansluiting potmeter	POTMETER PRINT KLEM	Wieland	E05088
-12ER1	1	Head Ø22 + mounting base for potentiometer	ZB4-BD912	Schneider Electric	E00866/2
-12ES1	1	Limit switch XCKP - steel roller plunger - 1NO+1NC - snap -	XCK-P2102P16	Schneider Electric	454796
-12ES2	1	White square flush complete pushbutton Ø16 spring return 1NO	XB6-CA11B	Schneider Electric	E00867
-12ES3	1	White square flush complete pushbutton Ø16 spring return 1NO	XB6-CA11B	Schneider Electric	E00867
-12F1	1	ZEK.KLEM 10MM2 GRIJS 5*20MM	VUSI 4-10M C.ZEK.KLM	Wieland	E01321
-12F1	1	VOOR VUSI 4-10	VASI 4-10 C.SCHOT	Wieland	E05154
-12F1	1	ZEK.SMELTV. 5*20MM SLOW 1A	ZEK.GLAS TRAAG 1 A	Generic	E07815
-12K1	1	Interface relais with socket 1CO 6A 24Vdc	38.51.7.024.0050	Finder	E05007
-12Q10	1	Motor protection switch 2,4 4,0A	GV2-ME08	Schneider Electric	E01456
-12Q10	1	Plug in aux. front for GV2-ME 1xNO +1xNC	GV-AE11	Schneider Electric	333-3455
-12U1	1	E82EV551K4C200 vector/no filte	FREQ.REG 0.55 KW	Lenze	E01541
-12U1	1	E82ZBC bed. display	FREQ.REG BED.DISPLAY	Lenze	E00415
-12U1	1	E82ZAFS standaard I/O inbouw	FREQ.REG I/O	Lenze	E00482
-12V1	1	Diode 1000V 1A	GEN DIODE 1N4007	Generic	E07827
-13H1	1	tekstpl.houder 27*13 h=45 elfi	F6300	Schneider Electric	E07831
-13H1	1	White pilot light head Ø22 plain lens for integral LED	ZB5-AV013	Schneider Electric	333-3454
-13H1	1	White light block with body/fixing collar integral LED 24V	ZB5-AVB1	Schneider Electric	333-3226
-13KM1	1	Auxiliary contact block - 2 NO - screw-clamps terminals	LAD-N20	Schneider Electric	500-3394
-13KM1	1	Contacteur 4,0kW 400VAC coil 24VDC 1NO/1NC	LC1-D09-BD	Schneider Electric	333-3210
-13S1	1	Red Ø40 Emergency switching off pushbutton head Ø22 latching	ZB4-BS844	Schneider Electric	E08437
-13S1	1	Single contact block with body/fixing collar 1NC screw clamp	ZB4-BZ102	Schneider Electric	B21153
-13S1	1	Sticker emergency stop yellow/red	EMERGENCY STOP STICKER	De Vries	E07832
-13S2	1	tekstpl.houder 27*13 h=45 elfi	F6300	Schneider Electric	E07831
-13S2	1	Pushbutton head Ø22 spring return without cap	ZB5-AA0	Schneider Electric	E01318
-13S2	1	Red cap marked STOP for circular pushbutton Ø22	ZBA-434	Schneider Electric	E01353
-13S2	1	Single contact block with body/fixing collar 1NC screw clamp	ZB5-AZ102	Schneider Electric	E00357
-13S3	1	tekstpl.houder 27*13 h=45 elfi	F6300	Schneider Electric	E07831
-13S3	1	Pushbutton head Ø22 spring return without cap	ZB5-AA0	Schneider Electric	E01318
-13S3	1	Green cap marked START for circular pushbutton Ø22	ZBA-333	Schneider Electric	E05078
-13S3	1	Single contact block with body/fixing collar 1NO screw clamp	ZB5-AZ101	Schneider Electric	333-3224
-14H1	1	tekstpl.houder 27*13 h=45 elfi	F6300	Schneider Electric	E07831
-14H1	1	White pilot light head Ø22 plain lens for integral LED	ZB5-AV013	Schneider Electric	333-3454
-14H1	1	White light block with body/fixing collar integral LED 24V	ZB5-AVB1	Schneider Electric	333-3226
-14H2	1	tekstpl.houder 27*13 h=45 elfi	F6300	Schneider Electric	E07831
-14H2	1	Red pilot light head Ø22 plain lens for integral LED	ZB5-AV043	Schneider Electric	E00360
-14H2	1	Red light block with body/fixing collar integral LED 24V	ZB5-AVB4	Schneider Electric	E05072

Modification		Date	Name	Last print	3-2-2016	Project naam: <b>1-10 DS 3x480V</b>		Pagina beschrijving: <b>Parts list</b>	Klant:	<b>Trubrand</b>		= E1		
												+		
											Tekening nummer:	<b>PJ15.1182.01.1</b>		Page <b>24</b>

